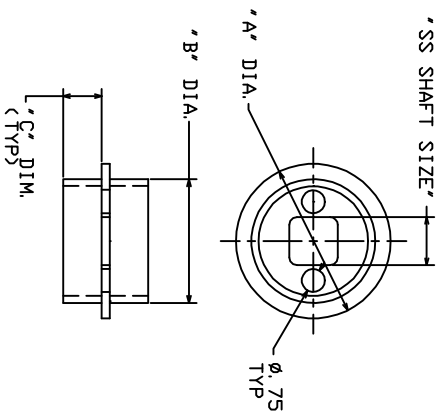


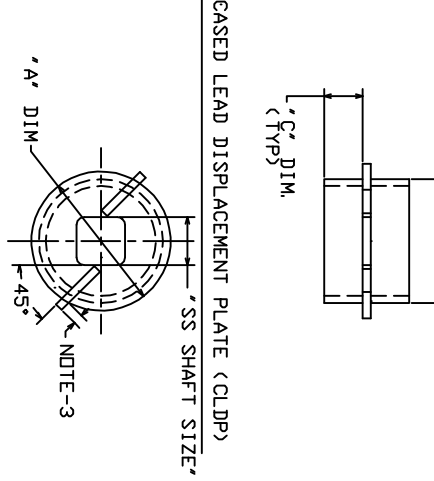
DISPLACEMENT PLATES FOR CASED GROUT COLUMNS

CASED EXTENSION DISPLACEMENT PLATE (CEDP)



- NOTES-
1. MAT'L: 1/4" THICK STEEL.
 2. PADDLES OVERHANG OUTSIDE PERIMETER OF PLATE.

CASED LEAD DISPLACEMENT PLATE (CLDP)



CASED LEAD DISPLACEMENT PLATE

CAT. NO.	" A "	" B "	" C "	SS SHAFT SIZE
T150-0339	5"	4"	1-1/4"	1-1/2"
C150-0424	7"	6"	1-3/4"	1-3/4"
C150-0425	7"	6"	1-3/4"	2"

CHANCE

HELICAL PULLDOWN[®] MICROPILE

HUBBELL POWER SYSTEMS

CASED DISPLACEMENT PLATES

TITLE

SIZE DWG NO. CAT / PART / ASSY NO. REV

SBI/S150-0338 SEE CHART C

DO NOT SCALE THIS DRAWING DWN BY KSH DATE 8/10/04 SHEET 1/1

CONFIDENTIAL: THIS DRAWING AND ITS CONTENTS ARE CONFIDENTIAL, AND THE EXCLUSIVE PROPERTY OF HUBBELL. NO REPRODUCTION OR DISTRIBUTION OR COPIES MAY BE MADE WITHOUT THE WRITTEN CONSENT OF HUBBELL POWER SYSTEMS. UNPUBLISHED. ALL RIGHTS RESERVED UNDER THE COPYRIGHT LAWS.